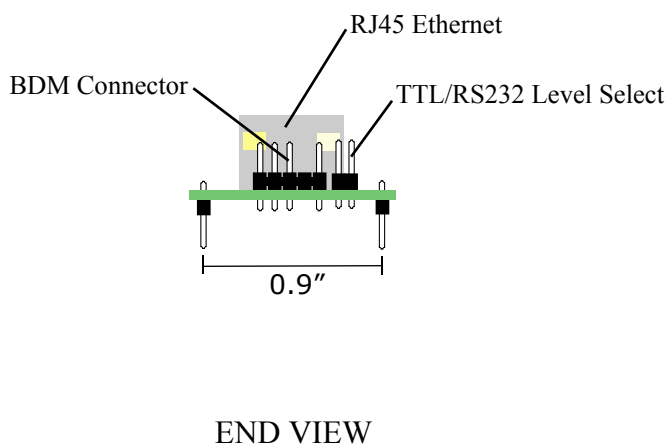
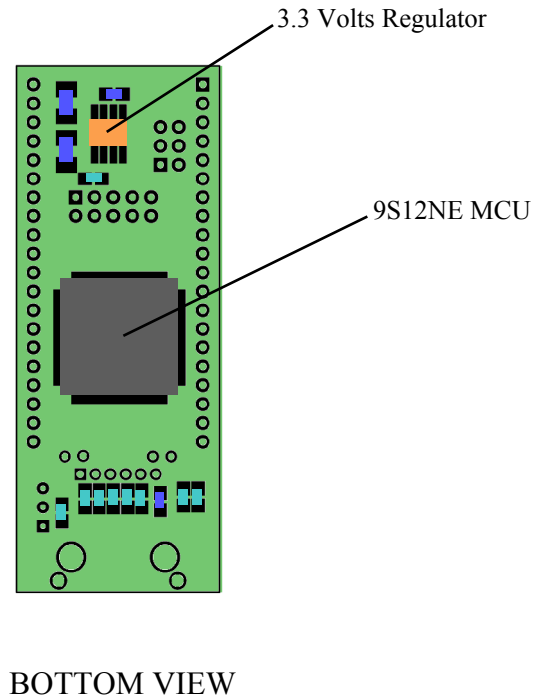
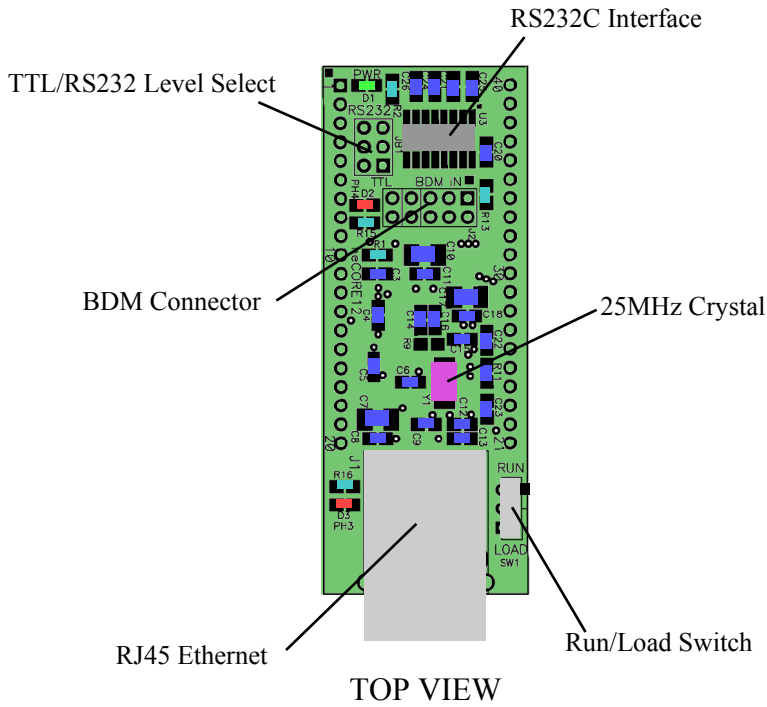


neCore12™ Features and Pinout



| | | | |
|----|-----|-------|----|
| 1 | TX | VIN | 40 |
| 2 | RX | VSS | 39 |
| 3 | NC | RES | 38 |
| 4 | VSS | VCC | 37 |
| 5 | PH5 | PH0 | 36 |
| 6 | PH6 | PJ0 | 35 |
| 7 | PJ6 | PJ1 | 34 |
| 8 | PJ7 | PJ2 | 33 |
| 9 | PT4 | PJ3 | 32 |
| 10 | PT5 | PG0 | 31 |
| 11 | PT6 | PG1 | 30 |
| 12 | PT7 | PG2 | 29 |
| 13 | AN7 | PS2 | 28 |
| 14 | AN6 | PS3 | 27 |
| 15 | AN5 | PS4 | 26 |
| 16 | AN4 | PS5 | 25 |
| 17 | AN3 | PS6 | 24 |
| 18 | AN2 | PS7 | 23 |
| 19 | AN1 | IRQ* | 22 |
| 20 | AN0 | XIRQ* | 21 |

PINOUT
(top view)

