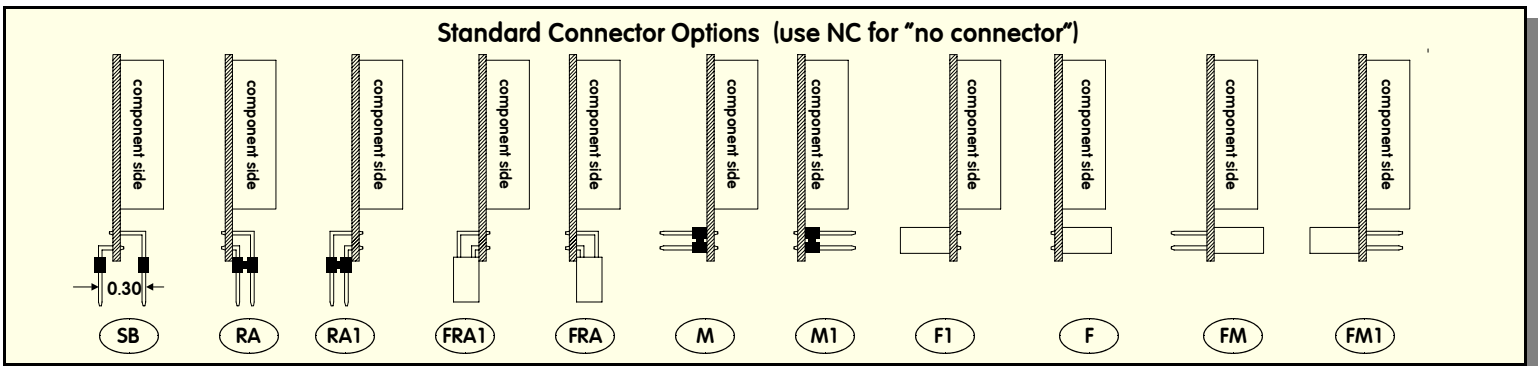


### Adapt9S12LAN™ Connector Pinouts

P1				P2			
PIN	SIGNAL NAME	PIN	SIGNAL NAME	PIN	SIGNAL NAME	PIN	SIGNAL NAME
1	Not used	50	GROUND	1	ADDR15/DATA15	50	VCC (+5VDC)
2	Not used	49	GROUND	2	ADDR14/DATA14	49	GROUND
3	Not used	48	Not used	3	ADDR13/DATA13	48	Not used
4	Not used	47	+5VDC	4	ADDR12/DATA12	47	XCS*
5	Not used	46	Not used	5	ADDR11/DATA11	46	Not used
6	Not used	45	Not used	6	ADDR10/DATA10	45	Not used
7	Not used	44	RESET*	7	ADDR9/DATA9	44	Not used
8	Not used	43	Not used	8	ADDR8/DATA8	43	Not used
9	Not used	42	Not used	9	ADDR7/DATA7	42	Not used
10	Not used	41	Not used	10	ADDR6/DATA6	41	Not used
11	Not used	40	Not used	11	ADDR5/DATA5	40	Not used
12	Not used	39	Not used	12	ADDR4/DATA4	39	Not used
13	Not used	38	Not used	13	ADDR3/DATA3	38	Not used
14	Not used	37	Not used	14	ADDR2/DATA2	37	Not used
15	Not used	36	Not used	15	ADDR1/DATA1	36	Not used
16	Not used	35	Not used	16	ADDR0/DATA0	35	Not used
17	Not used	34	Not used	17	R/W*	34	S/W LAN RESET
18	Not used	33	Not used	18	ECLK	33	Not used
19	Not used	32	Not used	19	LSTRB*	32	Not used
20	Not used	31	Not used	20	IRQ*	31	Not used
21	Not used	30	Not used	21	Not used	30	Not used
22	Not used	29	Not used	22	Not used	29	Not used
23	Not used	28	Not used	23	Not used	28	Not used
24	Not used	27	Not used	24	Not used	27	Not used
25	Not used	26	Not used	25	Not used	26	Not used

NOTES: \* indicates active low signal

#### Standard Connector Options (use NC for "no connector")



Order Code (fill in -□-□ with desired connector options for P1 and P2):  
AD9S12LAN-□-□ (note: P1 will normally be NC, since it is not used)